

Pedestrian stacker truck 2.0 ton



BT staxio

W-series

SWE200D



Pedestrian stacker double stacking

Specification for stacker trucks					SWE200D
Identification	1.1	Manufacturer			Toyota
	1.2	Model			SWE200D
	1.3	Drive			Electric
	1.4	Operator type			Pedestrian
	1.5	Load capacity/rated load	Q	kg	1000
		Support arm capacity/fork and support arm capacity	Q	kg	2000/800+1200
	1.6	Load centre	c	mm	600
	1.8	Load distance, centre of support arm wheel to face of forks (support arms raised/lowered)	x	mm	873/932
	1.9	Wheelbase (support arms raised/lowered)	y	mm	1483/1542
Weight	2.1	Service weight including battery		kg	857
	2.2	Axle load, with load, drive/castor/support arm wheel		kg	570/360/1155
	2.3	Axle load, without load, drive/castor/support arm wheel		kg	570/100/215
Wheels	3.1	Drive/castor/support arm wheel			Polyurethane
	3.2	Wheel size, front		mm	Ø230x70
	3.3	Wheel size, rear		mm	Ø85x74
	3.4	Additional wheels (dimensions)		mm	Ø125x50
	3.5	Wheels, number front/rear (x=driven wheels)			1x+2/4
	3.6	Track width, front	b ₁₀	mm	550
	3.7	Track width, rear	b ₁₁	mm	390
Dimensions	4.2	Height, mast lowered	h ₁	mm	1543 *)
	4.3	Free lift	h ₂	mm	76 *)
	4.4	Lift	h ₃	mm	2010 *)
		Lift height	h ₂₃	mm	2100 *)
	4.5	Height, mast extended	h ₄	mm	2520 *)
	4.6	Initial lift	h ₅	mm	120
	4.9	Height of tiller in drive position without platform, min./max.	h ₁₄	mm	150
		Height of tiller in drive position with platform, min./max.	h ₁₄	mm	865/1235
	4.15	Height, fork lowered	h ₁₃	mm	90
	4.19	Overall length	l ₁	mm	1910
	4.20	Length to face of forks	l ₂	mm	753
	4.21	Overall width	b ₁	mm	770
	4.22	Fork dimensions	s/e/l	mm	60/180/1150 *)
	4.24	Fork-carriage width	b ₃	mm	674
	4.25	Width over forks	b ₅	mm	570 *)
	4.31	Ground clearance, with load, below mast	m ₁	mm	22
	4.32	Ground clearance, centre of wheelbase	m ₂	mm	22
4.34.1	Aisle width for pallets 1000 x 1200 crossways	A _{st}	mm	2452	
4.34.2	Aisle width for pallets 800 x 1200 lengthways	A _{st}	mm	2356	
4.35	Turning radius, support arms raised	W _a	mm	1639	
Performance data	5.1	Travel speed, with/without load		km/h	6/6
	5.2	Lift speed, with/without load		m/s	0.12/ 0.27
	5.3	Lowering speed, with/without load		m/s	0.38/0.32
	5.8	Max. gradeability, with/without load ²⁾		%	9/12 ¹⁾
	5.10	Service brake			Electromagnetic
Electric motor	6.1	Drive motor rating S2 60 min		kW	1.5
	6.2	Lift motor rating at S3 15%		kW	2.2 ²⁾
	6.4	Battery voltage/nominal capacity K ₅		V/Ah	24/225 *)
	6.5	Battery weight		kg	192 *)
	6.6	Energy consumption according to VDI cycle		kWh/h	0,65
		Energy consumption acc. to EN16796:2016		kWh/h	0,52
	6.7	Turnover output		t/h	45,5
	6.8	Energy consumption at turnover output		kWh/h	1,05
Others	8.1	Type of drive control			Variable AC

¹⁾ Measured according to company standard

²⁾ S3 6%

*) Further alternatives are available and will produce other values.

Data is based on standard configurations: h₂₃ = 2100 mm Duplex Tele Panoramic View mast.

All data are based on table configuration. Other configurations may give other values.

Truck performance and dimensions are nominal and subject to tolerances.

Toyota Material Handling products and specifications are subject to change without notice.

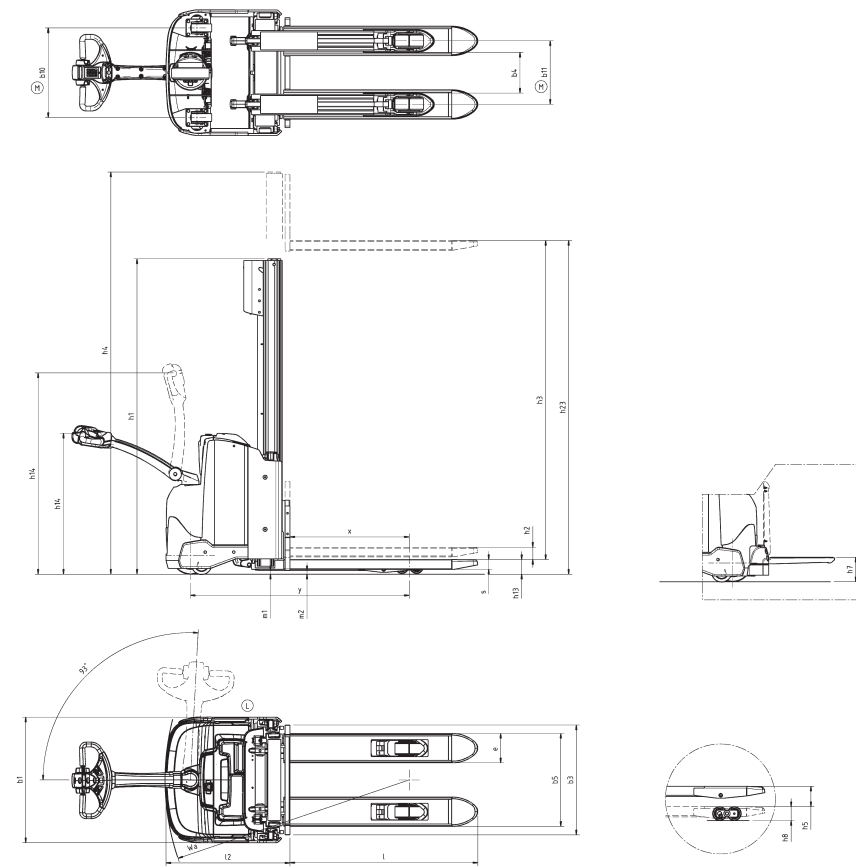
Battery dependent dimensions

BT staxio

Dimensions		Battery change		SWE200D		
				Lift out		Sideways
		Battery compartment		Medium	Large	Large
1.9	Wheelbase, support arms raised/lowered	y	mm	1438/1542	1533/1592	1533/1592
4.19	Overall length	l ₁	mm	1910	1960	1960
	without platform		mm	1995/2385	2045/2435	2045/2435
4.20	Length to face of forks	l ₂	mm	760	810	810
	without platform		mm	845/1235	895/1285	895/1285
4.34.1	Aisle width for pallets 1000x1200 crossways	A _{st}	mm	2452	2502	2350
	without platform		mm	2537/2937	2587/2987	2435/2835
4.34.2	Aisle width for pallets 800x1200 lengthways	A _{st}	mm	2356	2406	2406
	without platform		mm	2441/2841	2491/2891	2491/2891
4.35	Turning radius, forks raised	W _a	mm	1639	1689	1689
	without platform		mm	1724/2124	1774/2174	1774/2174
6.4	Battery voltage, nominal capacity, Lead-Acid	K ₅	V/Ah	24/225	24/300	24/260
	Battery voltage, nominal capacity, Li-Ion	K ₅	V/Ah	24/105	24/210	—
6.5	Battery weight, nominal		kg	192	248	221
	Battery weight, min.—max.		kg	185—250	230—285	209—250

Mast dimensions

SWE200D			Duplex Tele			Dupl. Tele Panoram. View		
h ₂₃	Lift height (h ₁₃ +h ₃)	mm	1700	1900	2100	1700	1900	2100
h ₃	Lift	mm	1610	1810	2010	1610	1810	2010
h ₁	Height, mast lowered	mm	1348	1448	1548	1343	1443	1543
h ₂	Free lift, ground to top of forks	mm	76	76	76	76	76	76
h ₄	Height, mast extended	mm	2125	2325	2525	2120	2320	2520



Truck features:

- Fingertip controls
- Electronic braking system
- Electronic speed control
- Operator safety
- Storage compartments
- Automatic switch-off
- Click-2-creep
- Programmable performance
- Easy access for maintenance
- Built in charger (option)
- Sensilift (option)
- Flip-up operator platform (option)
- Toyota I_site: truck fleet management system (option)
- Hydraulic oil for low temperatures (option)

